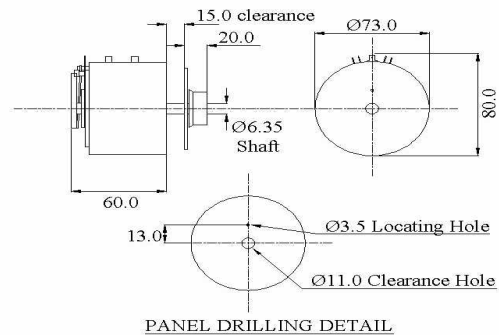


## 301 Dimensions



## Model 715

| Specifications                 |  |         |        |        |
|--------------------------------|--|---------|--------|--------|
| Model                          | 301  | 404     | 715    | 1225   |
| Nominal Input Voltage          | 250V                                       | 240V    | 240V   | 240V   |
| Load Rating                    | 187VA                                      | 1.14kVA | 4.3kVA | 7.2kVA |
| Output Voltage                 | Line-voltage connection 0 to 100% of input |         |        |        |
|                                | Over-voltage connection 0 to 115% of input |         |        |        |
| Rated Current                  | 0.5A<br>0.75A*                             | 4.0A    | 15.0A  | 25.0A  |
| Maximum Current Line connected | 0.75A<br>1.0A*                             | 4.75A   | 18.0A  | 30.0A  |
| No-Load Loss                   | 3W   | 12W     | 30W    | 40W    |
| Approx weight (kg)             | 1.0  | 4.4     | 11.5   | 23.1   |
| Number of turns                | 1010                                       | 380     | 258    | 295    |

\*Higher ratings apply when fitted to heatsink 1.6mm thick x 300mm<sup>2</sup>

## Regavolt 300/400/700/1200 series single units 230/240/250V input

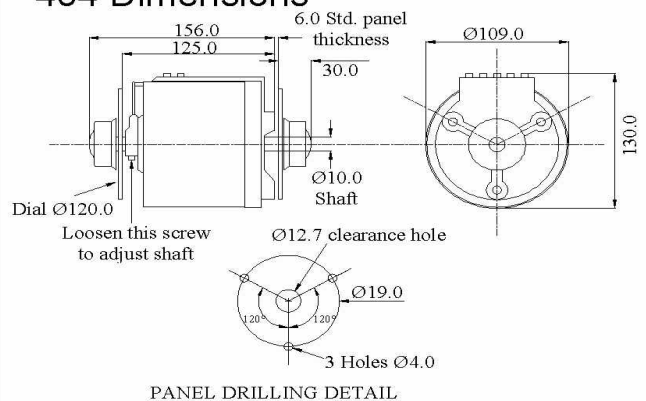
Unit load ratings from 187VA - to 7.2kVA

For general specifications including circuit diagrams please see technical data sheet.

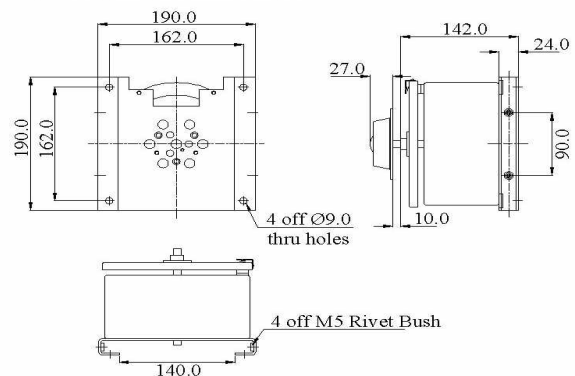
### CAUTION:

Regavolts operate at mains voltage and above. Installation, connection and maintenance must be carried out in accordance with good engineering practice by qualified personnel. Open models are intended only for installation as components and must never be used unprotected. Specification on data sheets must be considered carefully and the notes on installation and maintenance and any specific information supplied with the Regavolt adhered to strictly.

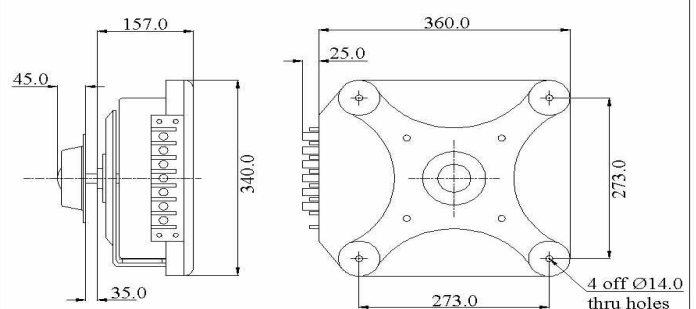
## 404 Dimensions



## 715 Dimensions



## 1225 Dimensions



## LYONS INSTRUMENTS

The Allendale Group Ltd  
 Pindar Road, Hoddesdon, Herts,  
 EN11 0BZ, UK  
 Tel: +44 (0)1992 455 930  
 Fax: +44 (0)1992 450 781  
 Email: [sale@lyons-instruments.co.uk](mailto:sale@lyons-instruments.co.uk)  
[www.lyons-instruments.co.uk](http://www.lyons-instruments.co.uk)